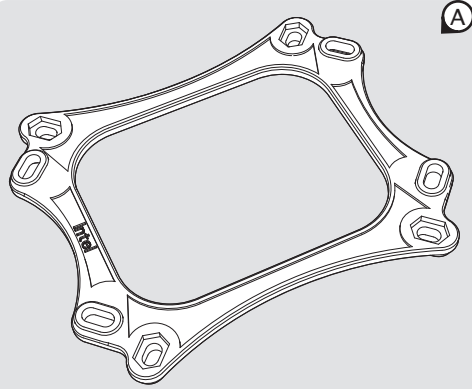


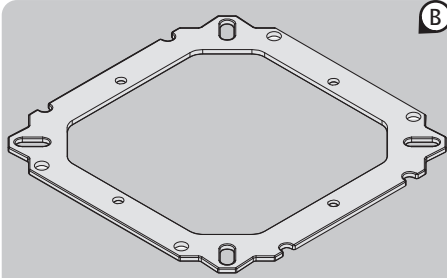


MYA RBW

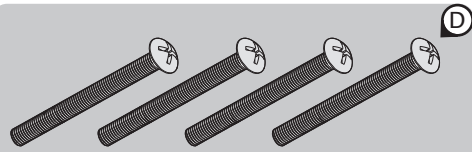
FOR INTEL LGA 1700



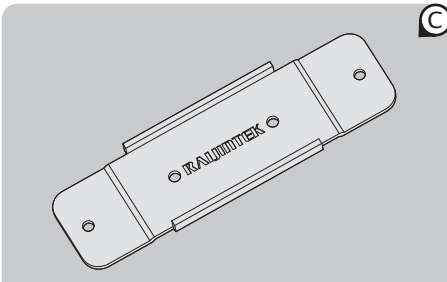
Intel LGA 1700 Backplate × 1



Mounting-clip × 1



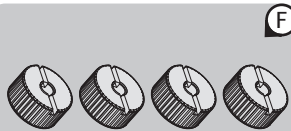
Knurled threaded screws × 4



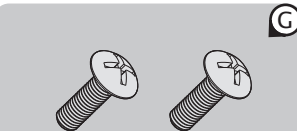
Crossbar × 1



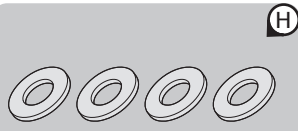
Metal nut × 4



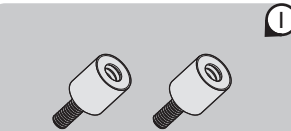
Metal nut × 4



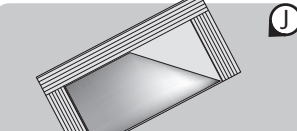
M3 screw × 2



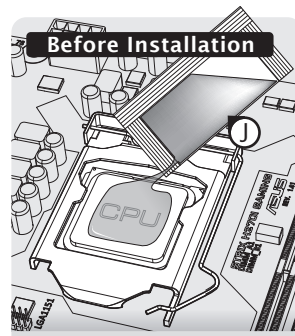
Washer × 4



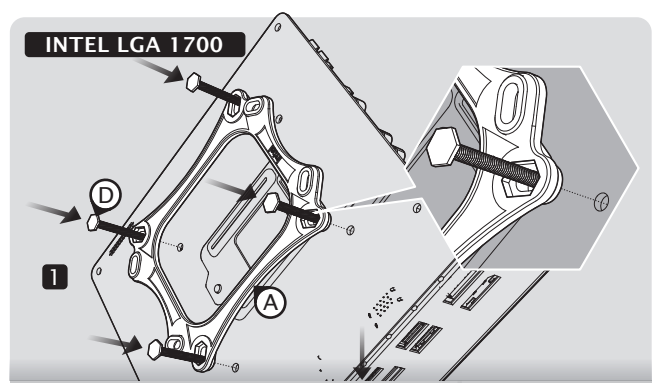
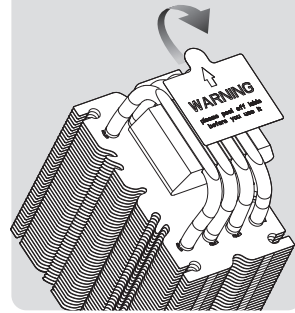
Stand-off × 2



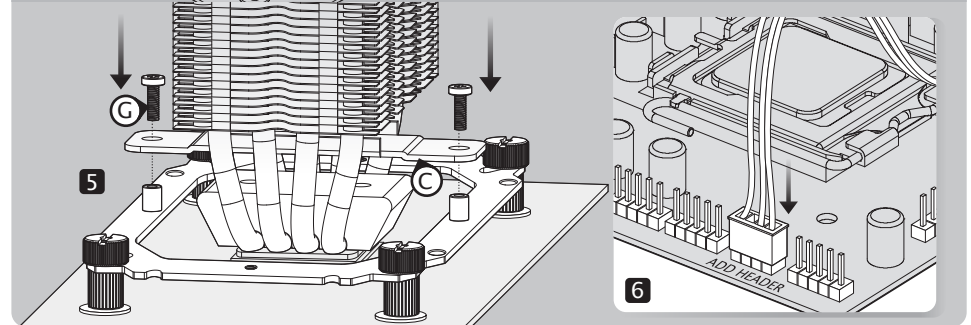
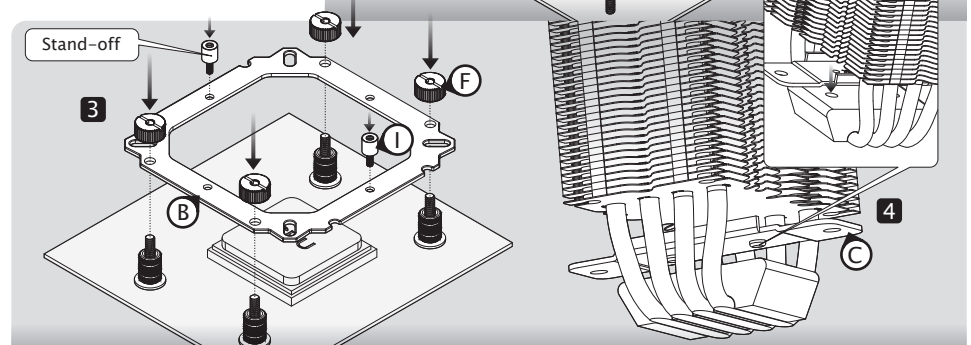
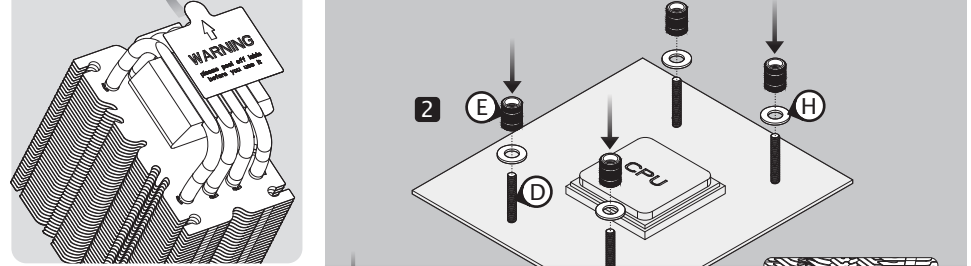
Thermal grease × 1



Before Installation



INTEL LGA 1700



Stand-off

3

5

6