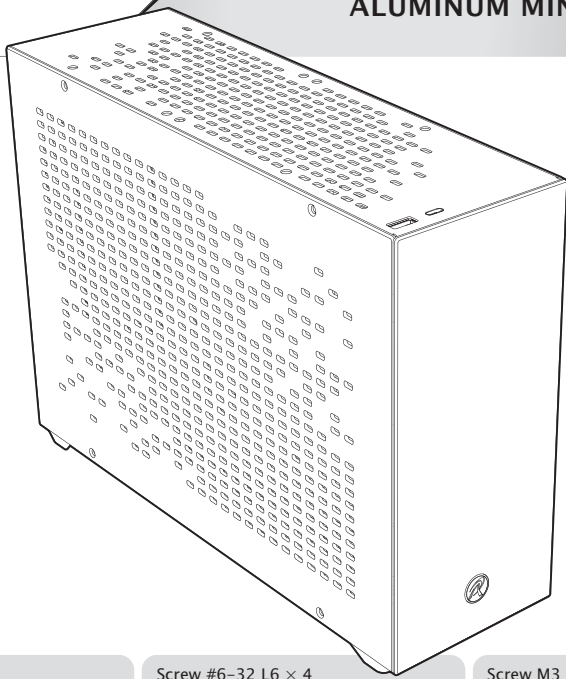




OPHION 7L

ALUMINUM MINI-ITX CHASSIS



Screw #6-32 L6 × 4
Motherboard



Screw #6-32 L6 × 4
PSU



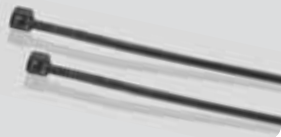
Screw M3 L5 × 8
2.5"SSD



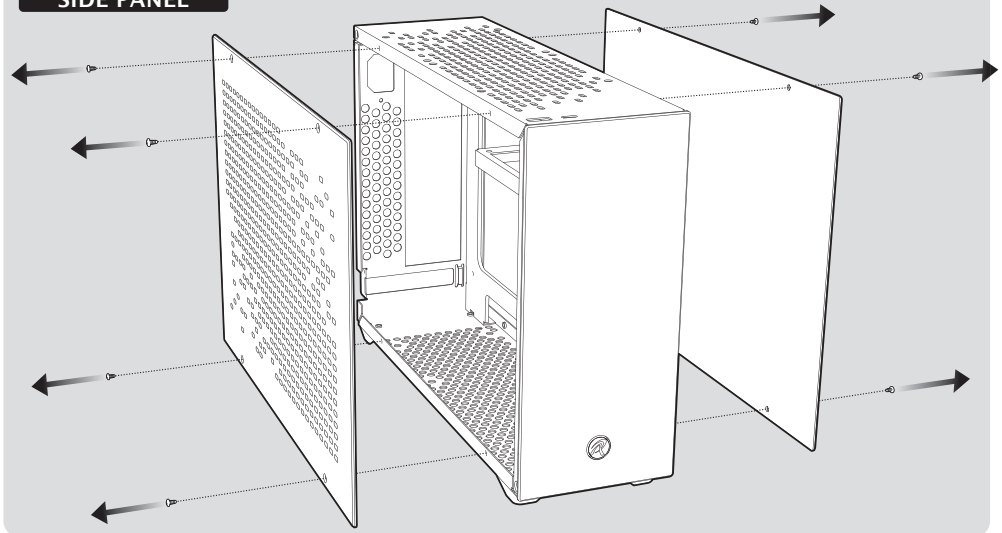
Screw #6-32 L6 × 1
VGA Card



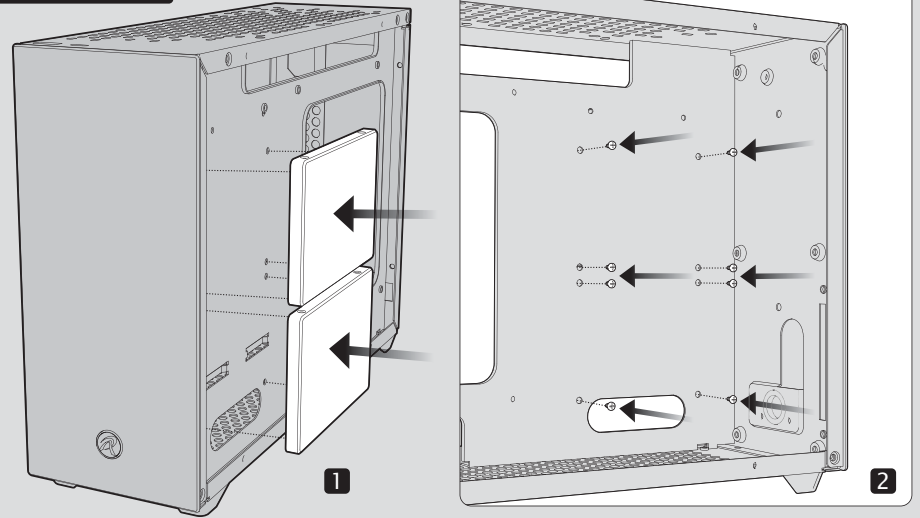
Cable Tie × 5



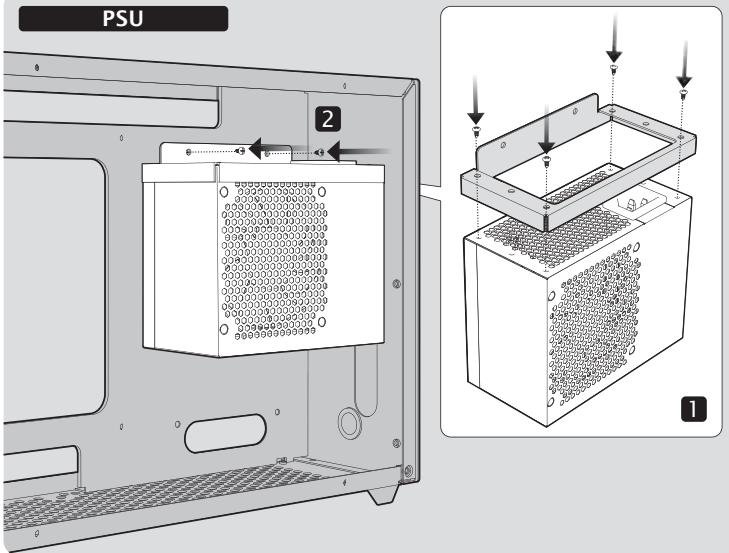
SIDE PANEL



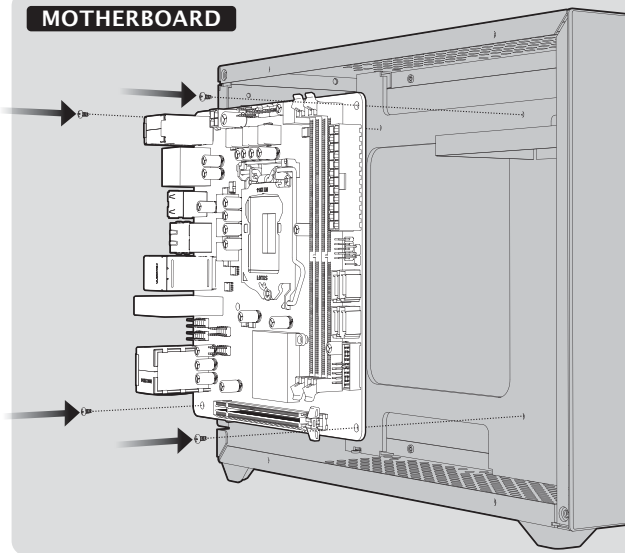
2.5" SSD



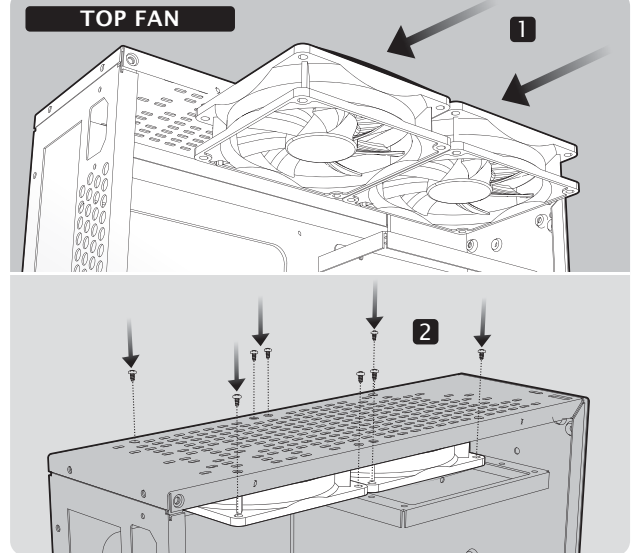
PSU



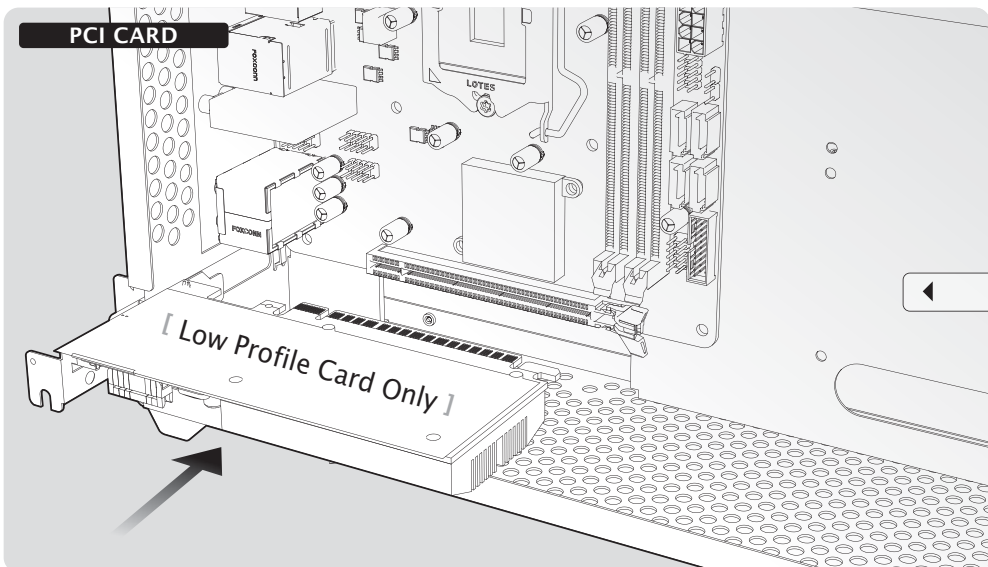
MOTHERBOARD



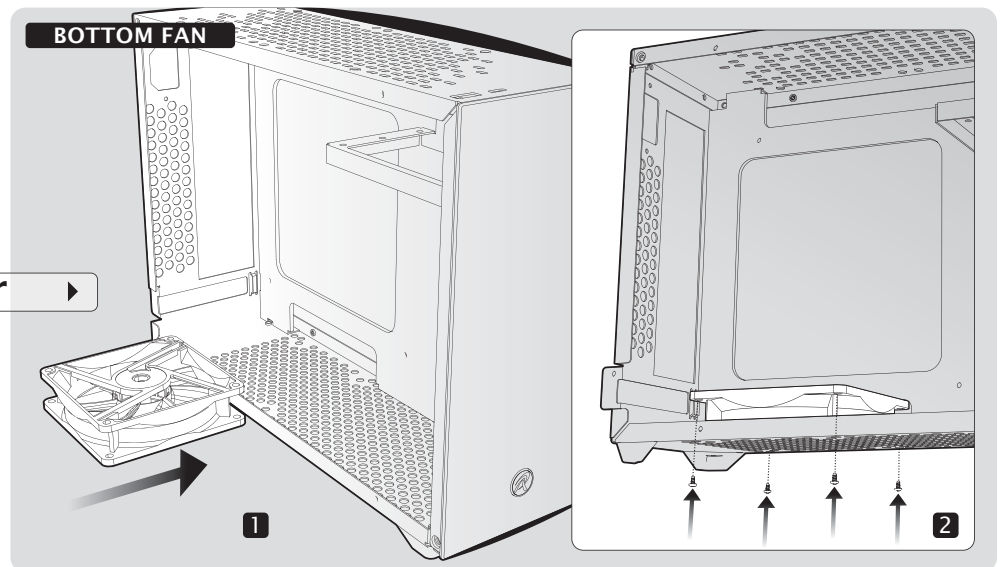
TOP FAN



PCI CARD



BOTTOM FAN



← or →