

Screw M3 L6.5 x 18  
2.5"SSD



Screw 6-32 L6 x 6  
PSU



Screw M3 L5 x 8  
3.5"HDD/2.5"SSD



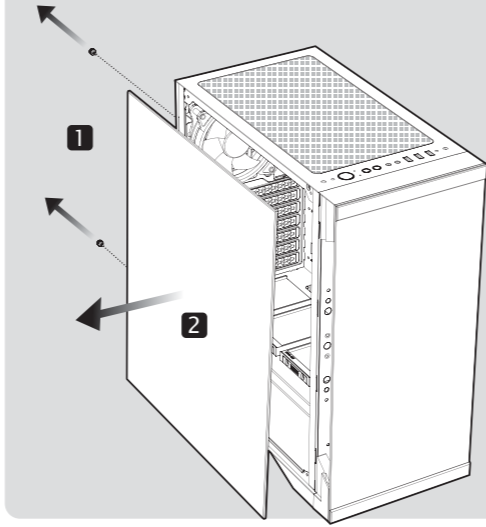
Stand-off x 3  
MB



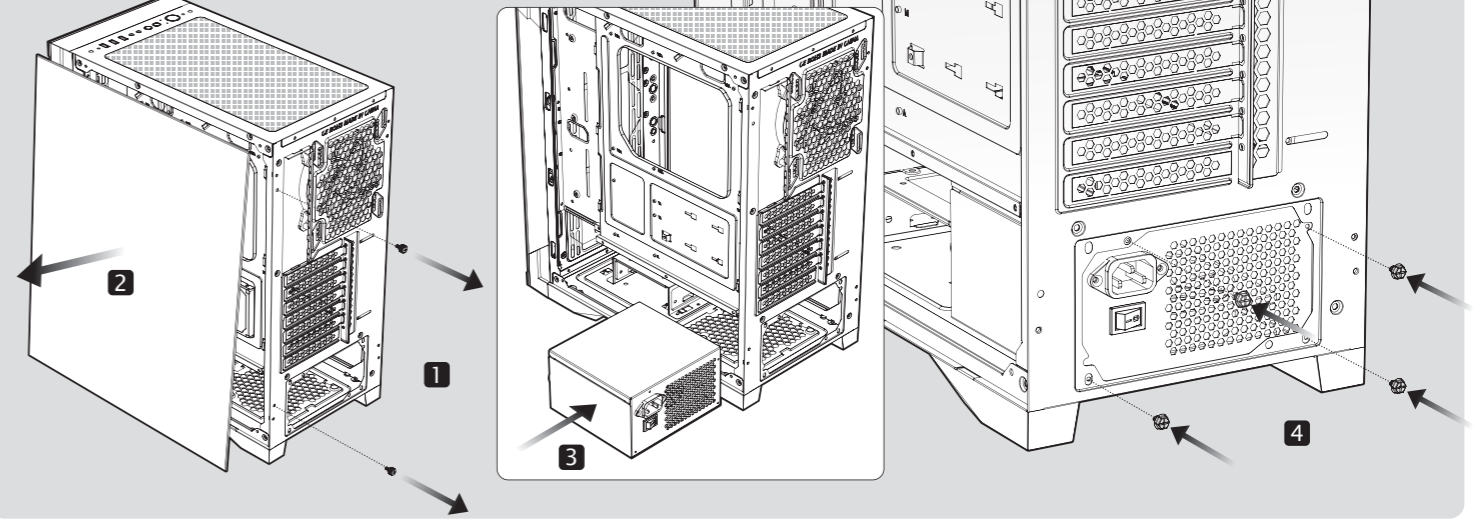
Cable Tie x 5



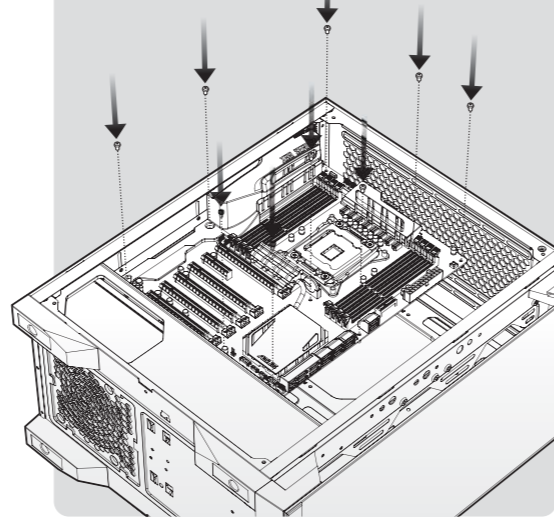
**SIDE PANEL**



**PSU**



**MOTHERBOARD**



**FAN**

